

2Easy 1 User Video Entry Kit



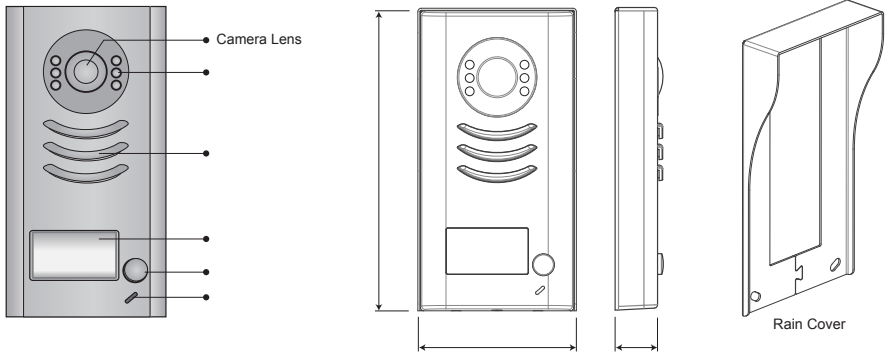
Limitations of this manual: This is provided to allow basic installation and set up of this kit, for advanced features please see device manuals included in each product box.

1. Kit Contents:
2. Entry Panel Parts and Functions:
 - 2.1: Terminals Description & Dip Switches.
 - 2.2: Installation & Adjustments.
3. CDV-PC6 Parts and Functions:
 - 3.1: Product Description.
 - 3.2: Terminals Description.
4. CDV47MG Part and Functions:
 - 4.1: Terminals & Installation.
 - 4.2: Screen Functions
 - 4.3: Addressing & DIP Switches
 - 4.4: Insat=
5. Schematics & Wiring:
 - 5.1: Wiring distances & cables.
 - 5.2: Basic wiring configurations.
 - 5.3: Electric lock connections
- 7: Specifications.
- 8: Precautions.

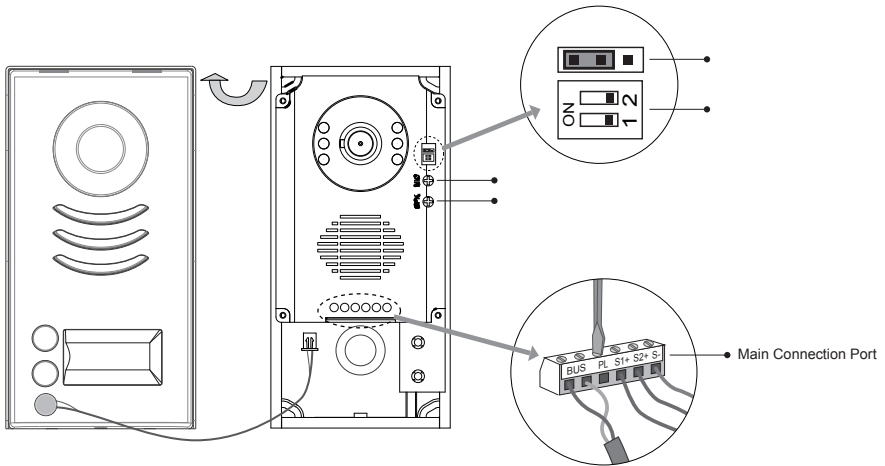
1. CDV4791/2 KIT CONTENTS:

1 x CDV91/CDV92	-	1 or 2 Button Video Entry Panel
1 x CDV-PC6	-	Power/Bus Combiner
1 x CDV-47MG	-	TFT Touch screen Internal Monitor
1 x 145mm Din Rail		
1 x CDV4791/92 Manual		

2: CDV91/92 Parts and Functions

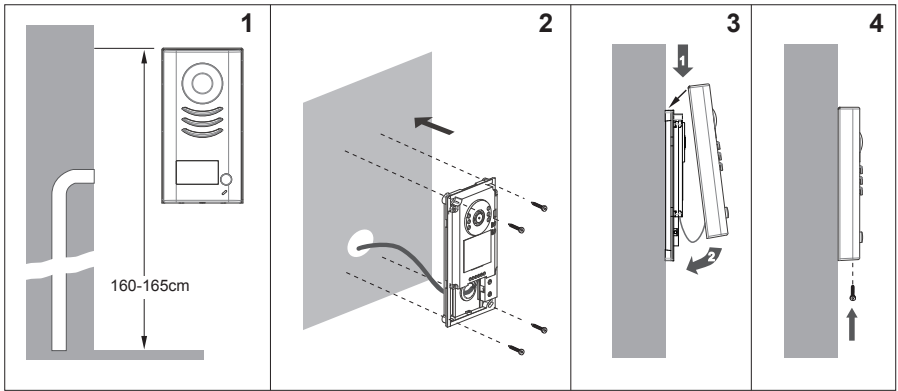


2.1: Terminal Descriptions

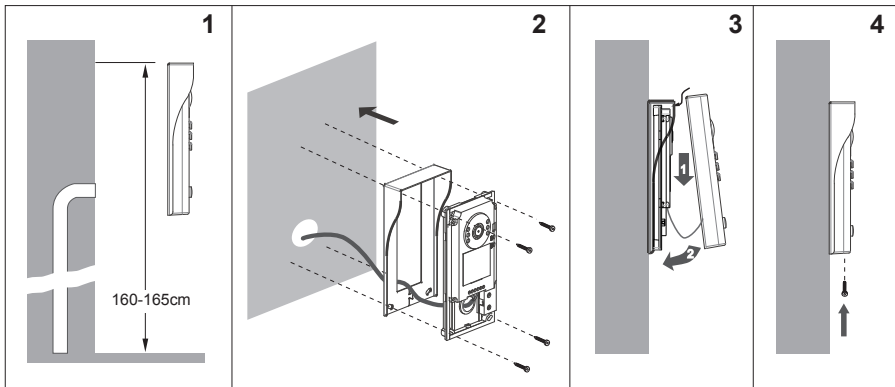


2.2: Installation & Adjustments

Mounting Without Rain Cover

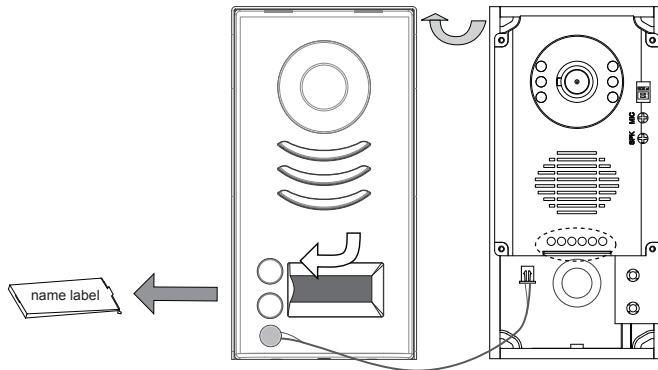


Mounting With Rain Cover



Fitting The Name Label

From the rear of the metal section of the CDV91/92 unclip the plastic cover to open the transparent name plate, insert a name label and replace the plastic cover.



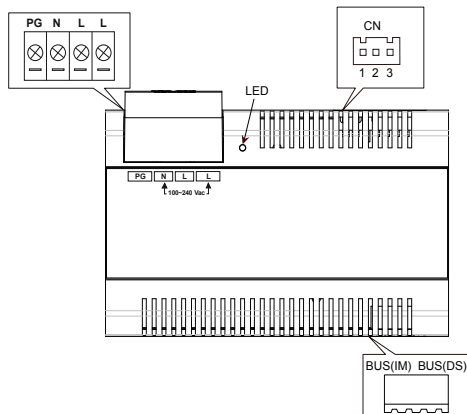
3: CDV-PC6A Parts and Functions

3.1: Description:

The PC6A is a power/bus combiner unit, which is designed for the CDV 2Easy 2 wire system to supply power for the external station, internal monitor and other accessories on the bus. It can operate as a normal power/bus combiner or auxiliary PSU. The features are as follows:

- Universal AC input/full range
- Multi protection: short circuit, overload, over voltage
- Integrated with DT-DPS(power separator), Additional DT-DPS is not needed.
- Support up to 4~8 monitors(depend on models)
- DIN Rail Mounting

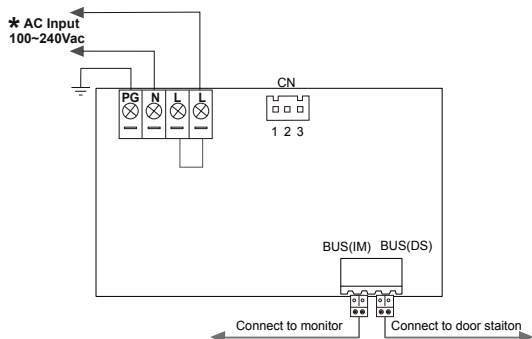
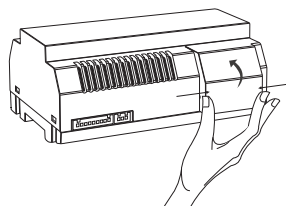
2: Terminal Descriptions:



PG:	Earth ground terminal.
N:	AC input terminal.
L:	AC input terminal.
LED:	Power indicator, on when power connected.
CN:	Bus control terminal.
BUS(IM):	Indoor monitor connection terminal.
BUS(DS):	Door station connection terminal.

Open the AC cover:

1. Push the cover base towards the centre with your fingers;
 2. Lift up and pull out the cover.
- After connecting the AC cable, it is advised to replace the cover.



Note:

1. The AC cable is not included in the package, it must comply to the specific requirements of country where installed.
2. Pins 1&2 should be short-circuited with a C3-3P link(included in the package) if the unit operates as a standard power combiner. If operating as an auxiliary power combiner, the link should be removed.

4: CDV47 Parts and Functions

4.1: Terminals & Installation

Terminal description

L1,L2: Bus line terminal (green Connector).

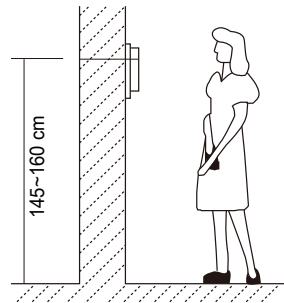
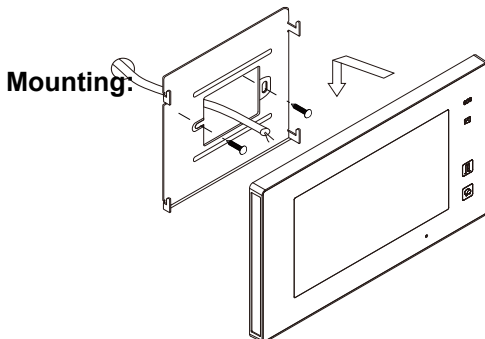
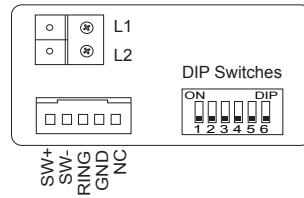
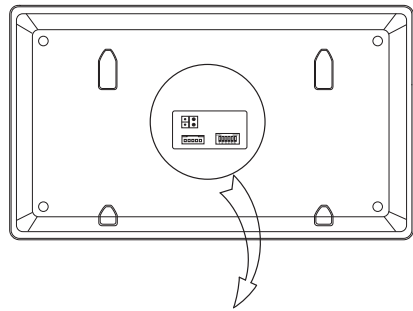
SW+,SW-: Door bell call button connection port.

Ring,GND: Extra buzzer connection port.

NC: Reserved

DIP switches: Total 6 bits can be configured.

- **Bit 1~Bit5:** User Code (Address) setting.
- **Bit6 :** Set to **ON** if the monitor is at the end of the line or operates with DBC4A. Otherwise, set to **OFF**.

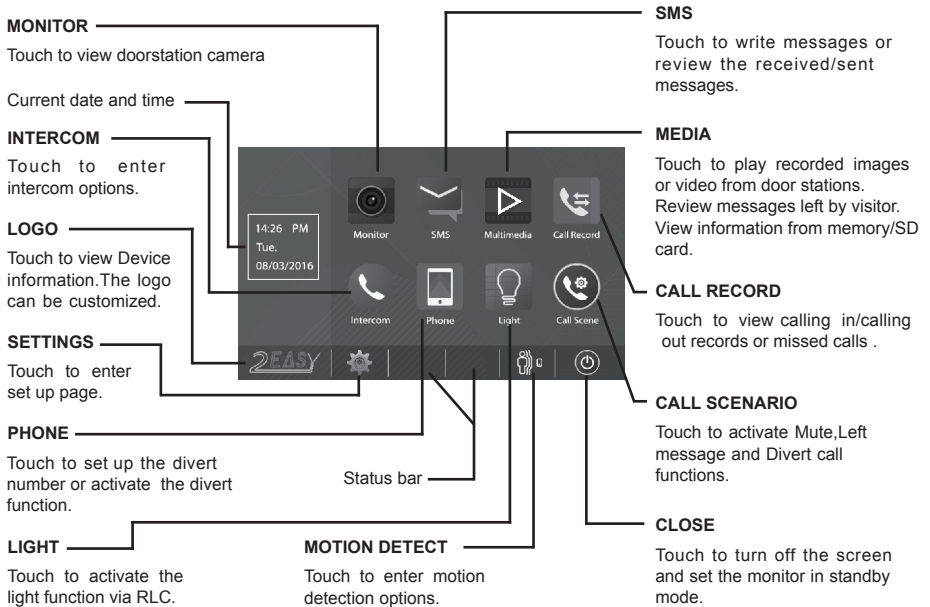


4.2: Screen Functions

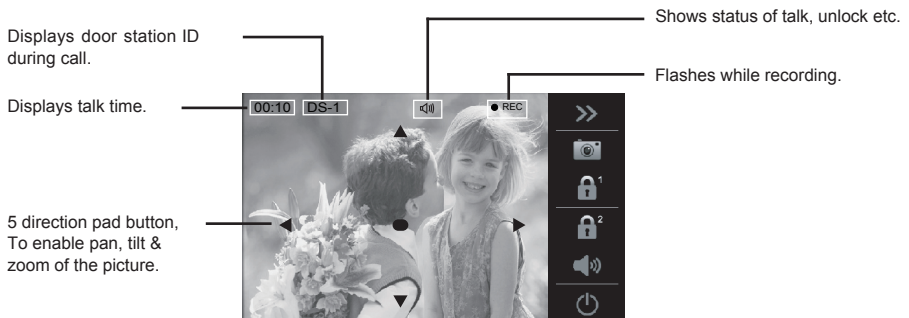
Main Menu

The Main menu is the starting point for using all the applications on the monitor. The Main menu can be customised to display a chosen logo.

Touch anywhere of the screen on monitor in standby mode, the Main menu will appear as follows:



In communication with a door station




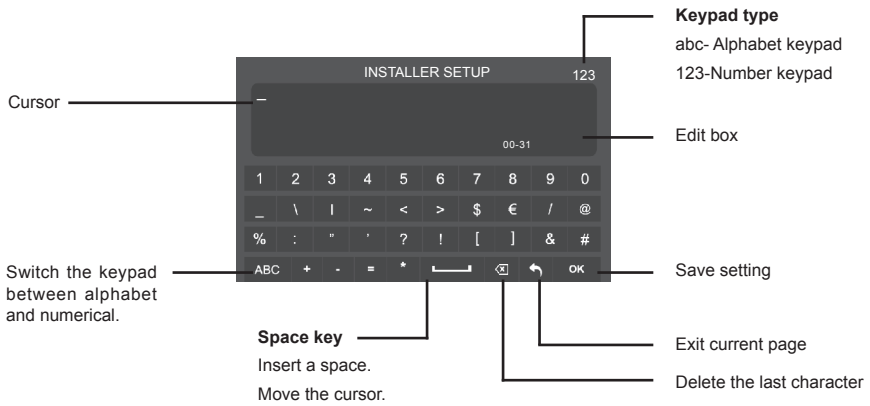
Note: The 5 direction pad operates only with CDV97 **fish-eye** door station.

Manual Input Address

The address can also be entered manually .

- A total of 32 numbers can be set, from 00~31.
- When multiple monitors are installed in one apartment, the monitors should be set to the same user code and the master/slave mode should be set on the monitor. (Details refer to the section of **Setting Slave Monitor**)

1. In the address setting page, select Manual Input Address setting mode, then touch  icon, a keypad will be displayed.
2. Enter the code by touching the digital number.
3. Touch "OK" key to save, code setting complete.
4. Touch "↶" key to exit.



User code (address) for the monitor:

Input No.	User Code	Input No.	User Code	Input No.	User Code
01	Code=1	12	Code=12	23	Code=23
02	Code=2	13	Code=13	24	Code=24
03	Code=3	13	Code=14	25	Code=25
04	Code=4	15	Code=15	26	Code=26
05	Code=5	16	Code=16	27	Code=27
06	Code=6	17	Code=17	28	Code=28
07	Code=7	18	Code=18	29	Code=29
08	Code=8	19	Code=19	30	Code=30
09	Code=9	20	Code=20	31	Code=31
10	Code=10	21	Code=21	00	Code=32
11	Code=11	22	Code=22		

4.4: Installer Set Up

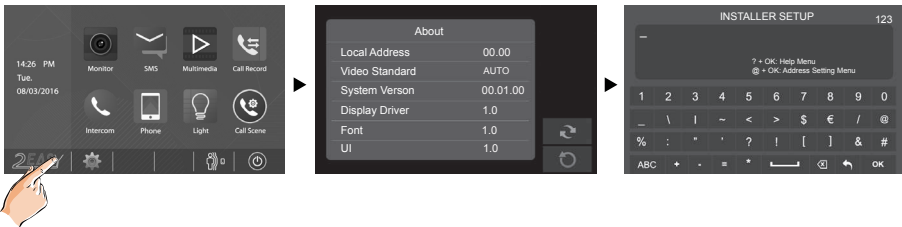
Touch the screen anywhere on monitor in standby mode, the main menu page will be shown as follows:



Entering installer setup

- On main menu page, touch **[Logo]** icon to enter the **About** page.
- When the screen shows the **About** page, press **UNLOCK** button on front panel and hold for 2 seconds.
- A keypad is shown.

Refer to the following:



Setting the Slave address:

A maximum of 4 monitors can be connected in one apartment (call button), one master monitor together with 3 slave monitors, the address must be set correctly. (Note: one monitor to be set as master monitor - address 00)

The code of 8000 is used to set the master monitor.

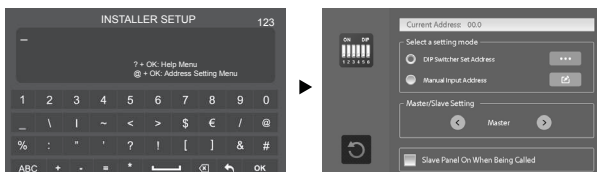
The code of 8001 is used to set the first slave monitor .

The code of 8002 is used to set the second slave monitor .

The code of 8003 is used to set the third slave monitor .

Master/Slave can also be set directly as follows:

Touch the keys “@ and ok” to open **Address Setting** menu. Refer to the following:




- Select Master/Slave setting option, touch ⏪ / ⏩ icon to scroll to next option, settings will be saved immediately.

Setting the slave monitor video on:

In default mode, when receive a calling the master and slave monitors will ring at the same time, however the master monitor will display the image while the slave monitors will not. This setting can be changed to allow all the slave monitors to display video from the panel at the same time when receiving a call, enter the code number of 8006 on each slave monitor. (Note: it is not recommended to have more than 2 monitors set to on when using cat5/6 cable).

The above setting can also be set directly from the menus in the same field as Master/Slave.

- Click “ Slave Panel On When Being Called” item,when “ ✓ ” symbol is displayed in the frame , the setting is activated.
- Click the item again to cancel.

Press call button
on door station



When receiving a call, all monitors can display the image at the same time (subject to cable type).



Master monitor



#1st slave monitor



#2nd slave monitor






#3rd slave monitor

Setting monitor time

Monitor Time the time out period when a door station has been selected to be viewed from a monitor, it can be changed at any time. The time can be set to 30s, 40s, 50s, 1min, 2min, 3min,4min, 5min, 6min, 7min, 8min, 9min or 10min.

* 30s is the default monitor time.

- 1.On main menu page, touch  settings icon ->[More...].
- 2.Select **Monitor Time Set** item.
- 3.Touch  /  icon to adjust the levels. Settings will perform immediately.

How to set the unlock parameter:

Unlock mode:

There are two unlock modes: 1.power-on- to-unlock(fail secure):unlock mode =0 (default)
2.power-off-to-unlock(fail safe):unlock mode = 1.

Code 8010 is used to set the unlock mode to 0

Code 8011 is used to set the unlock mode to 1

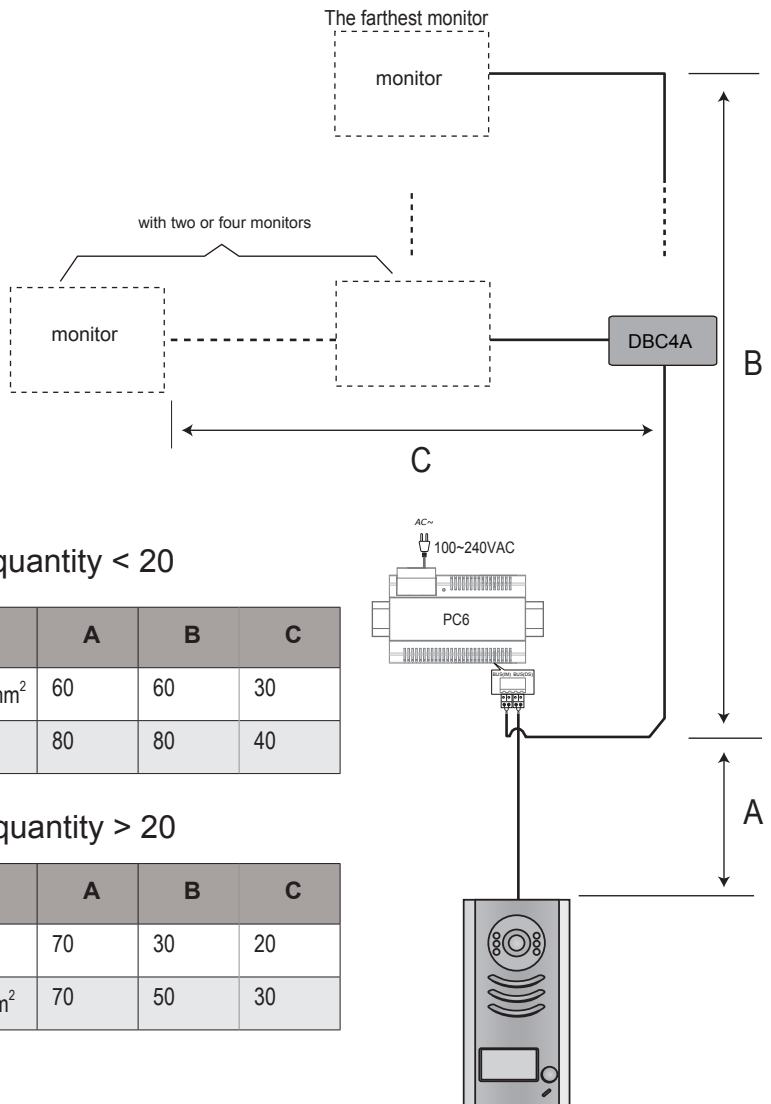
Unlock time:

The unlock time can be changed at any time, it can be set from 1 to 99 seconds. The codes from 8401 to 8499 are used to set the unlock time to 1~ 99 seconds.

5: Schematics & Wiring

5.1: Wiring & Cable Distances:

The maximum cable distance of the wiring is limited. Using different cables will also affect the maximum distance available from the 2Easy system.



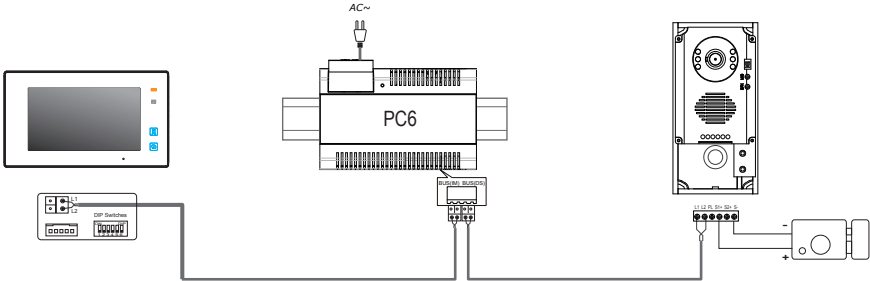
When Monitor quantity < 20

Cable Usage	A	B	C
Twisted cable 2x0.75 mm ²	60	60	30
Twisted cable 2x1 mm ²	80	80	40

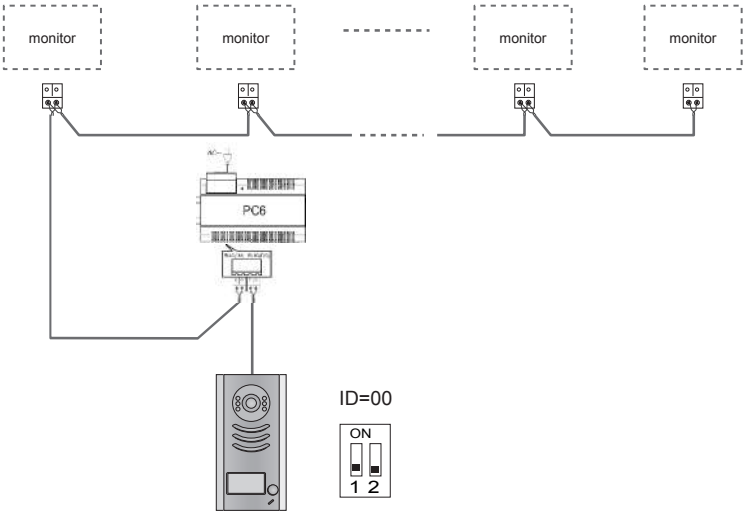
When Monitor quantity > 20

Cable Usage	A	B	C
Twisted cable 2x1 mm ²	70	30	20
Twisted cable 2x1.5 mm ²	70	50	30

5.2 Basic Wiring Configurations

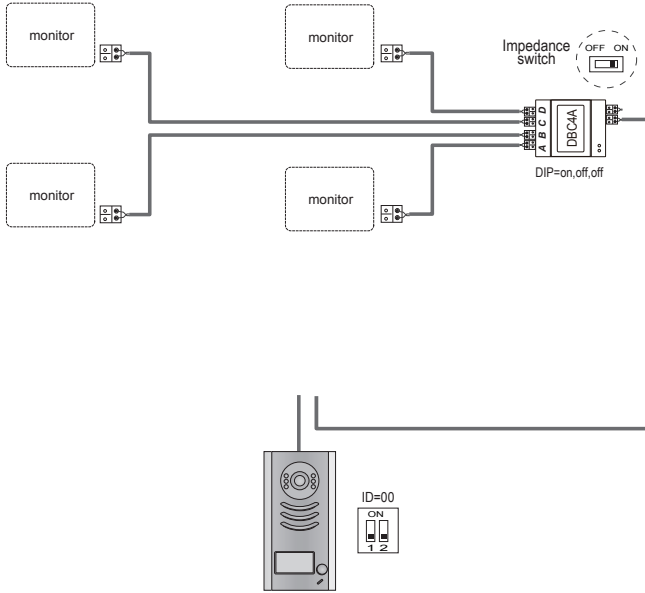


'Daisy' Chain Connection:

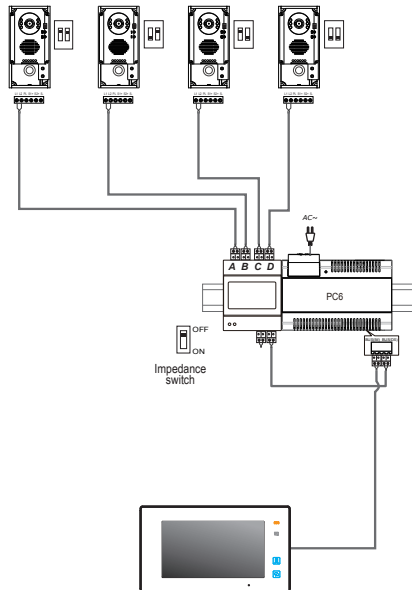


2Easy 1 User Video Entry Kit CDV4791/2

Star Connection with CDV-DBC4A:



Multiple Door Station Connection



5.3 Electric Lock Connection

Lock connection using internal power output:

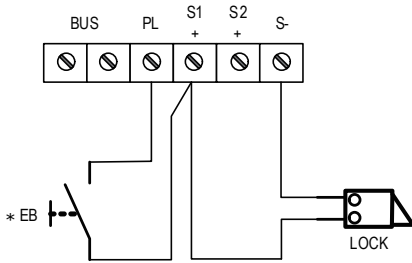
Note:

- 1. Electric locks must be Power-on-to-unlock.
- 2. The door lock output is limited to 12V with holding current maximum of 250mA.
- 3. The door lock output is not timed from the Exit Button(EB).
- 4. The unlock parameter of the monitor must be set to 0 (default).

Connecting one lock:



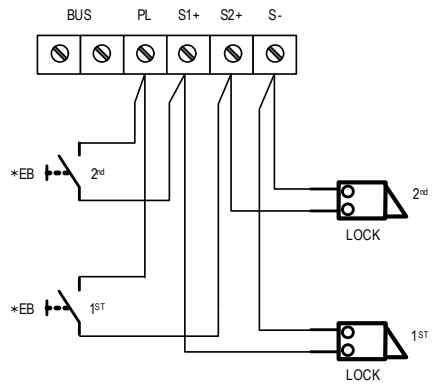
Jumper position in 1 & 2



Connecting two locks:



Jumper position in 1 & 2



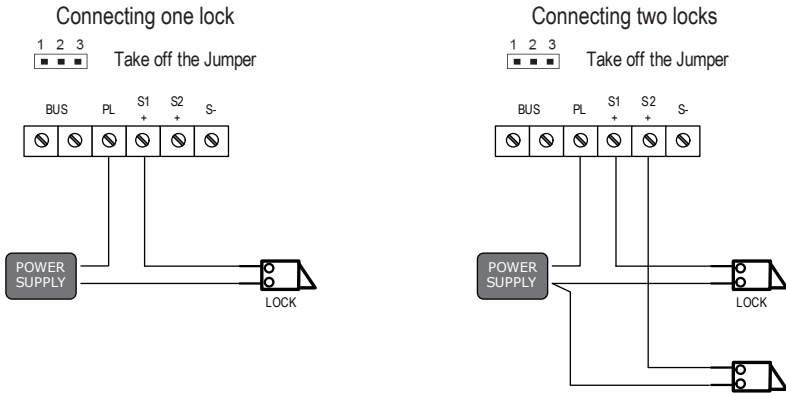
Lock connection using external power supply:

Note:

1. The external power supply must be rated according to the lock consumption.
2. The jumper must be removed before connecting.
3. Set up the unlock mode for the monitor for lock type:

8010 - Power-on-to-unlock type:Unlock Mode=0 (default)

8011 - Power-off-to-unlock type:Unlock Mode=1



7: Specifications:

CDV91/92

Power Supply :	DC 24V (supplied by PS1-24V or PS5-24V)Power
Consumption:	Standby 50mA;
Operating Current:	200mA
Camera:	105 Degree Pinhole Sharp Color CCD; 420 TV Lines
Unlocking time:	1-9S, set by monitor. Default is 5 seconds
Power supply:	12Vdc, 300mA(Internal Power)
Temperature:	-10 ⁰ C~+45 ⁰ C
Wiring:	2 wires - Unscreened twistedpair(non-polarity)
Dimension:	176(H)×90(W)×24(D)mm

CDV-PC6A

Input Voltage:	100~240Vac
Input Frequency:	50~60Hz Rated
Output Voltage:	DC 28V+2V
Rated Output Current:	1.5A
Working Temperature:	-10°C~50°C SW
Input Voltage:	Max 230vac, 2A
Dimension:	140 x 90 x 60mm

CDV-47M

Input Power:	20-28vdc
Standby Current:	12.4mA
Operating Current:	270mA
Screen:	7" digital colour LCD
Display Resolution:	800 x 3(RGB) x 480 pixels
Video Signal:	1v p-p, 75 ohm, CCIR
Wiring:	2 wires UTP, non-polarity
Dimensions:	225 x 131 x 18mm

- 1) All components should be protected from shock or vibration, and be careful the products are not impacted, knocked or dropped.
- 2) Please clean with a soft cotton cloth, please do not use a chemical cleaning agent. If necessary, please use a little pure water or dilute soapy water to clean.
- 3) Image distortion may occur if the video monitor is mounted too close to a magnetic field eg microwaves, TV's, computers etc.
- 4) Please do not subject the monitor to wet, high temperature, dust, caustic and oxidation gas environments, any of which could cause unpredictable damage.
- 5) Please use the right adaptor which is supplied by the manufacturer, or approved by the manufacturer.
- 6) Pay attention to the **high voltage** inside the products, please refer service only to a trained and qualified professional.

Precautions

- 1) All components should be protected from shock or vibration, prevent impacts and sharp knocks. Do not drop
- 2) Please clean with a soft cotton cloth, please do not use a chemical cleaning agent. If necessary, please use a little pure water or dilute soapy water to clean.
- 3) Image distortion may occur if the video monitor is mounted too close to a magnetic field eg microwaves, TV's, computers etc.
- 4) Please do not subject the monitor to wet, high temperature, dust, caustic and oxidation gas environments, any of which could cause unpredictable damage.
- 5) Please use the right adaptor which is supplied by the manufacturer, or approved by the manufacturer.
- 6) Pay attention to the **high voltage** inside the products, please refer service only to a trained and qualified professional.